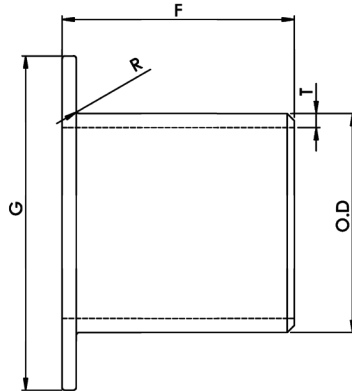


## 10.35 Stub End Type B Dimensions (ASTM A403)



Nominal Pipe Size		Outside Diameter (O.D) (mm)	Wall Thickness (t) (mm)			Dimensions		
DN	NPS		10S	40S	80S	G	F	R
15	1/2"	21.7	2.11	2.77	3.73	35	51	0.8
20	3/4"	27.2	2.11	2.87	3.91	43	51	0.8
25	1"	34.0	2.77	3.38	4.55	51	51	0.8
32	1 1/4"	42.7	2.77	3.56	4.85	64	51	0.8
40	1 1/2"	48.6	2.77	3.68	5.08	73	51	0.8
50	2"	60.5	2.77	3.91	5.54	92	64	0.8
65	2 1/2"	76.3	3.05	5.16	7.01	105	64	0.8
80	3"	89.1	3.05	5.49	7.62	127	64	0.8
90	3 1/2"	101.6	3.05	5.74	8.08	140	76	0.8
100	4"	114.3	3.05	6.02	8.56	157	76	1.6
125	5"	139.8	3.40	6.55	9.53	186	76	1.6
150	6"	165.2	3.40	7.11	10.97	216	89	1.6
200	8"	216.3	3.76	8.18	12.70	270	102	1.6
250	10"	267.4	4.19	9.27	12.70	324	127	1.6
300	12"	318.5	4.57	9.53	12.70	381	152	1.6