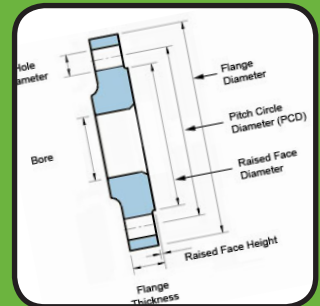
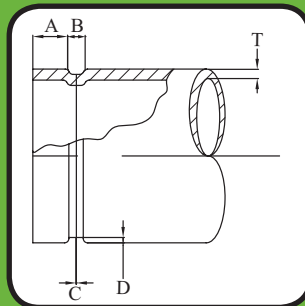
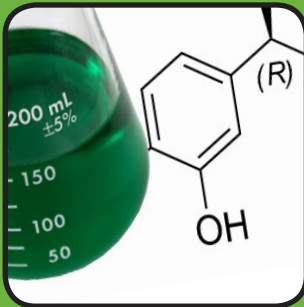
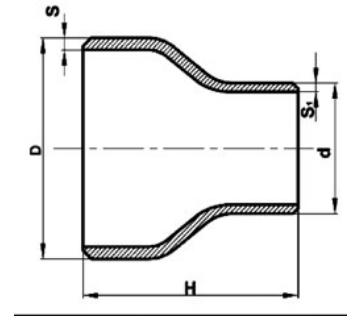
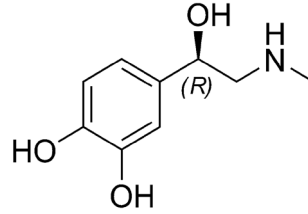
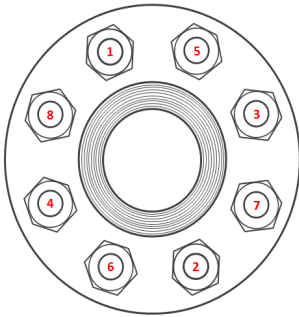


10



# TECHNICAL DATA

## Technical Tools:



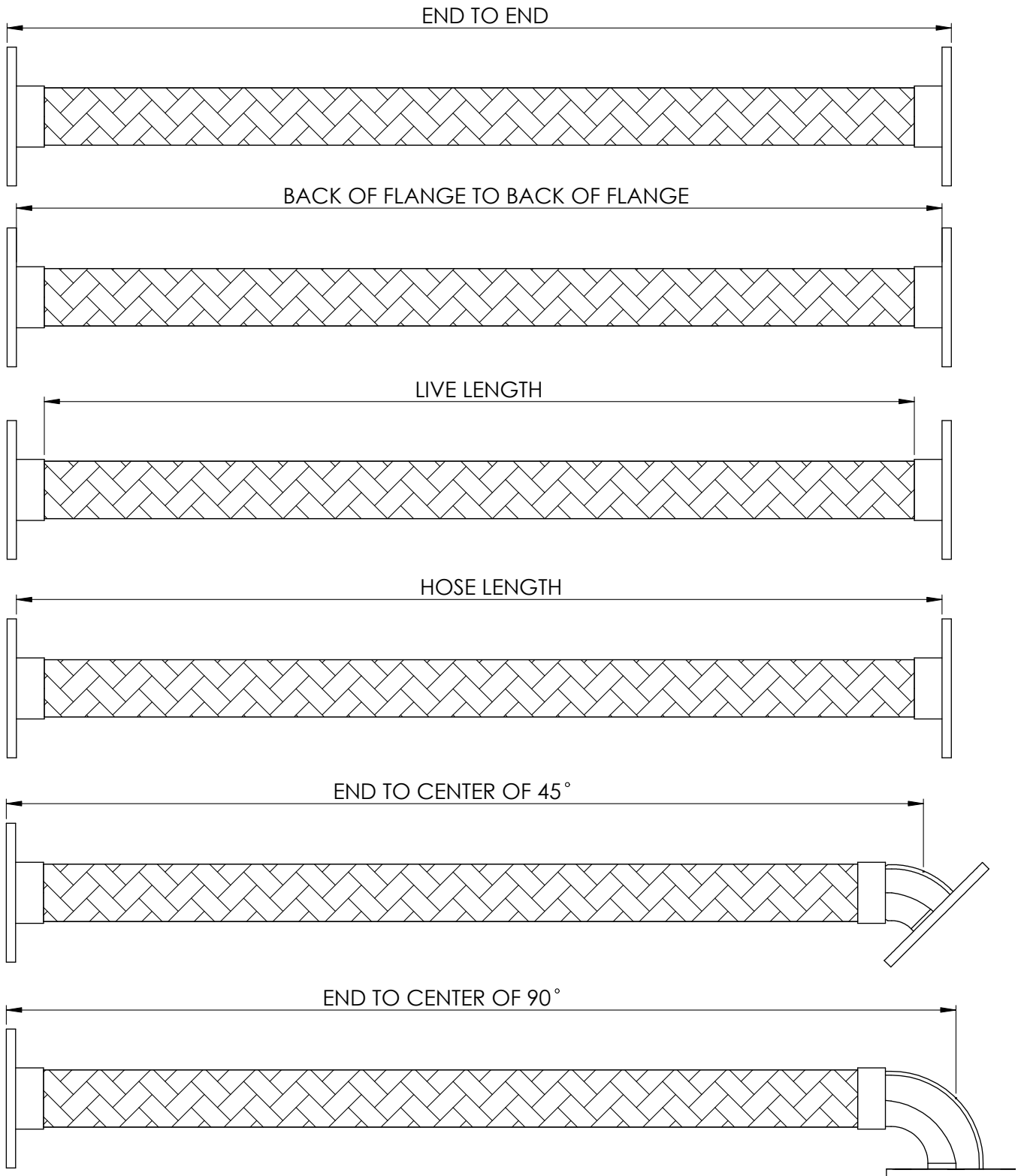
Our website has a vast range of tools to assist you in designing the best product for your needs.

- Definition of Movement
- Pressure Conversion
- Hose Measurements
- Flange Specifications
- Hose Orientations
- Thread Specifications
- Measurement Conversions
- Pipe and Tube Specification
- Pressure Loss
- Installation Guides
- Offset Calculators
- Chemical Compatibility

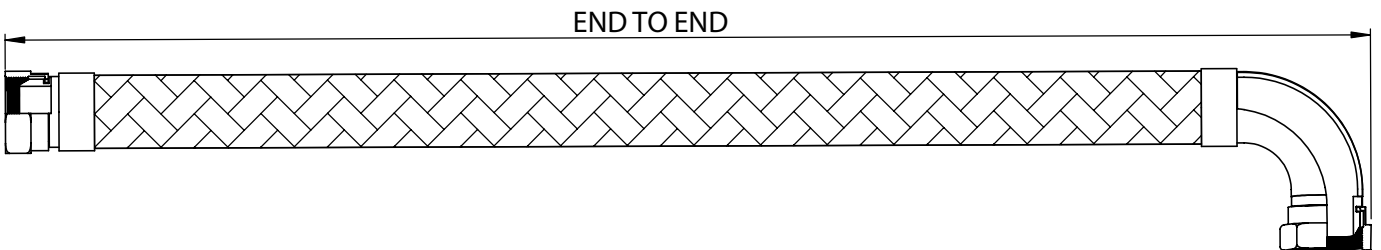
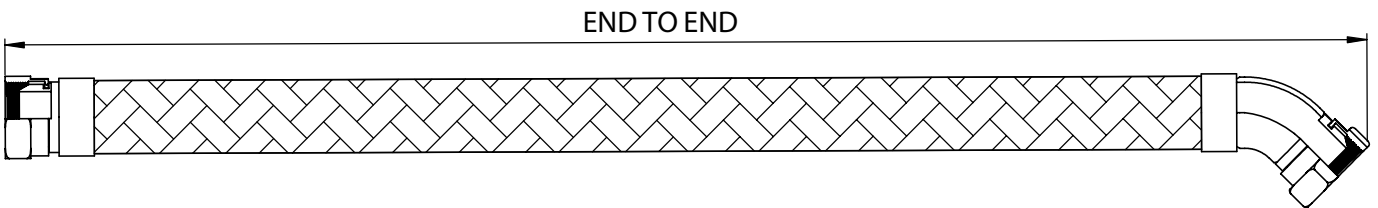
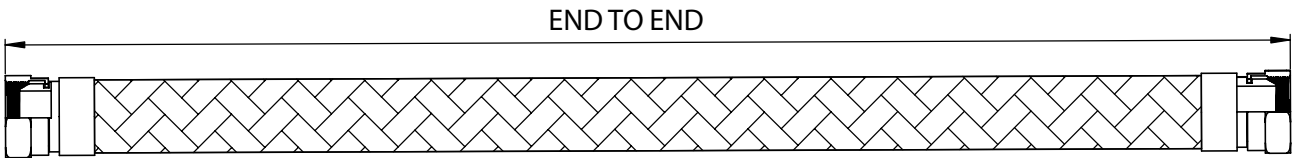
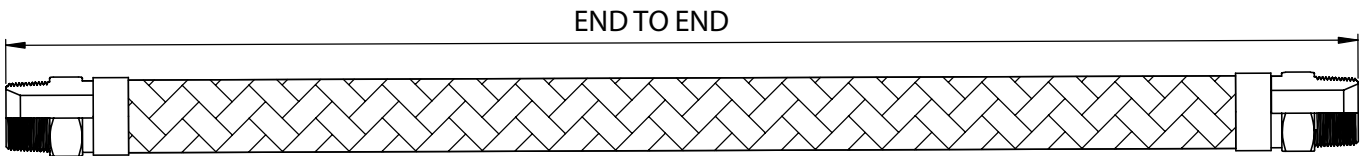
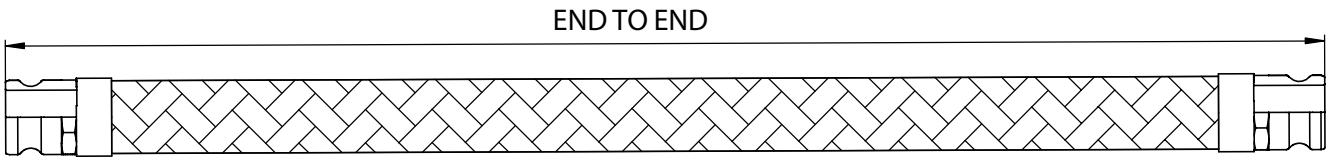
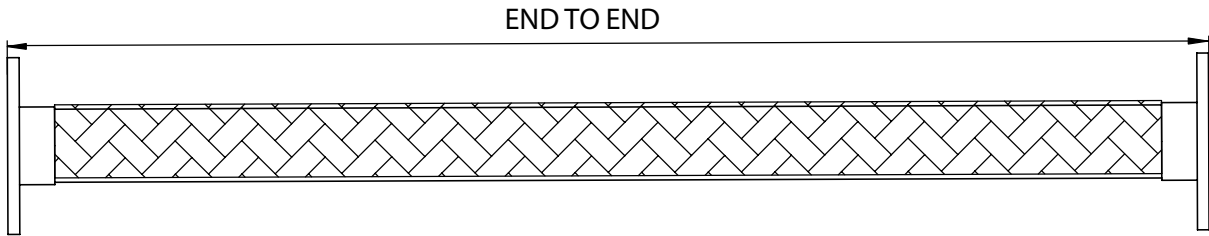
Visit [hoseflex.com](http://hoseflex.com) to explore these tools.

Our sales team is always available to help you navigate or make technical decisions.

## HOSE MEASUREMENTS: FLANGE TO FLANGE



## HOSE MEASUREMENTS: END TO END





# TECHNICAL DATA

## HOSE MEASUREMENTS: SEAT TO SEAT

